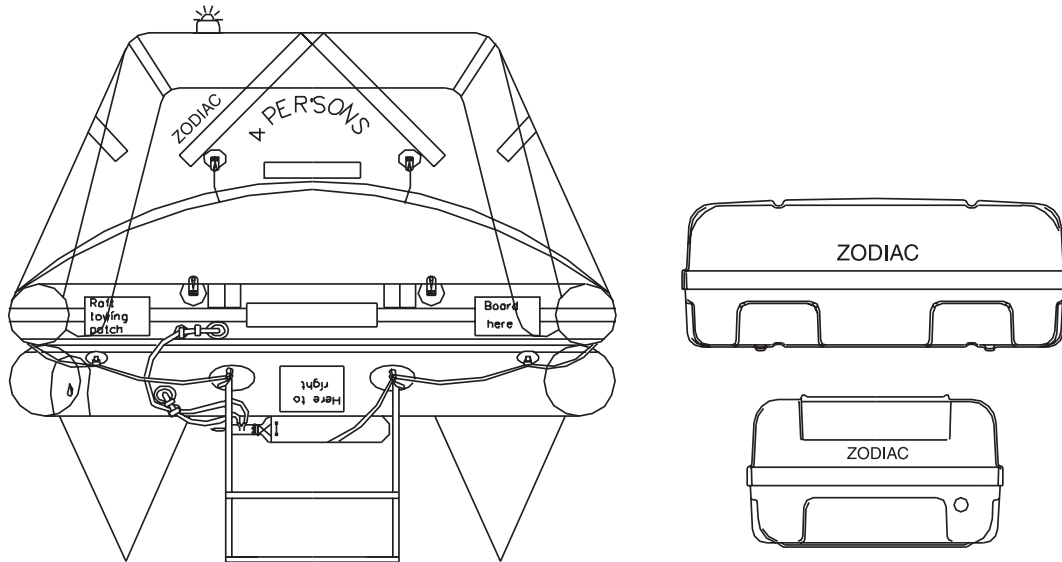


**Built
for Life!**

ZODIAC COASTAL LIFERAFTS

ZODIAC EXTENDED SERVICE (TRANSPORT CANADA APPROVED)



FEATURES: Zodiac's patented extended service liferafts provide up to 2.5 years (30 months) between the service intervals, providing savings to vessel owners and operators. An additional benefit of the extended service pack is that the liferaft does not have to be removed, transported and re-installed annually.

These durable liferafts have been designed for commercial passenger carrying vessels which are required to carry a liferaft. Unique features of this range are the availability of a low profile container and the protective pouch the liferaft is packed in, providing the extended service benefit. Available in 4, 6 and 8 person sizes.

- Extended service up to 30 months between service intervals.
- Reduced handling-benefits owner/operators by reducing costs.
- Available in sizes from 4 – 8 person capacity.
- Transport Canada approved.
- Packed in a watertight, sealed protective pouch, providing better protection from the harsh marine conditions.
- Thermo bonded polyurethane construction.
- Extensive service station network.
- Dual buoyancy chambers.



BASIC EQUIPMENT:

EQUIPMENT PACK CONTENTS	QUANTITY	
Pump	1	
Sea Anchor	1	
Bailer	1	
Repair kit	1	
Knife	1	
Signal mirror	1	
Flashlight with spare batteries & bulb	1	
Set of leak stoppers	1	
Whistle	1	
Sponges	2	
Paddles	1 pr	
Pressure relieve valve plugs	2	
Sea sick bags	1/per	
Life saving signal	1	
First aid kit (TC/SOLAS)	1	
Parachute rocket	1	
Hand flares	3	
Radar reflector	1	
Anti-seasick pills	6/per	
Rescue quoit & line	1	
Immediate action instruction card	1	
Liferaft owners manual	1	

DIMENSIONS:

CAPACITY	CONTAINER DIMENSIONS L x W x H	WEIGHT
4 PERSON	80cm x 53cm x 32cm (32" x 21" x 13")	33 kg (73 lbs)
6 PERSON	80cm x 53cm x 32cm (32" x 21" x 13")	35 kg (77 lbs)
8 PERSON	89cm x 52cm x 33cm (35" x 21" x 13")	44 kg (97 lbs)

Container weights and dimensions are approximate. Specifications subject to change without notice.

